

## The powerful nylon plug with 4-way expansion



Wall consoles



Curtain rails

General fixings 6

### BUILDING MATERIALS

- Concrete
- Vertically perforated brick
- Hollow blocks made from lightweight concrete
- Cavity floor slabs made from bricks and concrete
- Perforated sand-lime brick
- Solid sand-lime brick
- Natural stone with dense structure
- Aerated concrete
- Solid panel made from gypsum
- Solid brick made from lightweight concrete
- Solid brick

### CERTIFICATES



### ADVANTAGES

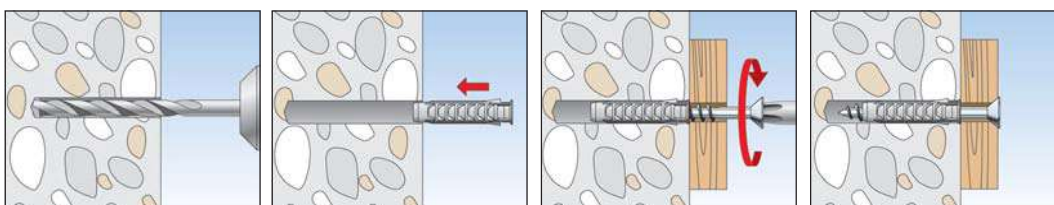
- The 4-way expansion provides the optimum force distribution in the material, and offers high load-bearing capacities in solid and hollow building materials.
- The expansion-free plug neck prevents the creation of expansion forces on the material surface whilst screwing in the screw. This helps to prevent damage to tiles and plaster.
- The pronounced rim prevents the plug from slipping into the drill hole, thus allowing for a simple installation.
- The greater anchorage depth of the SX 6x50, 8x65 and 10x80 means that the plug is especially suited to fixings in hollow building materials, aerated concrete and to bridge plaster.

### APPLICATIONS

- Lighting
- Wardrobes
- Motion detectors
- Skirting
- Light shelves
- Mirror cabinets
- Letter boxes
- TV consoles
- Trellis
- Folding shutters
- Bath and toilet installations

### PLFUNCTIONING

- The SX is suitable for pre-positioned and push-through installation.
- When turning in the screw, the SX expands in four directions, thus providing a secure anchoring in the building material.
- The required screw length is given by: Plug length + fixture thickness + 1 x screw diameter.
- Suitable for wood, chipboard and spacing screws (fischer ASL, see page 332).



## TECHNICAL DATA



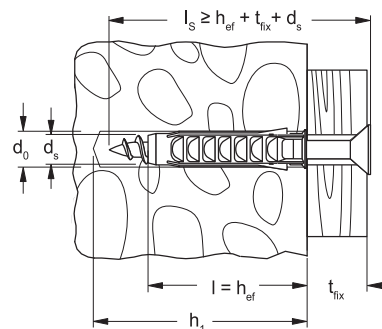
Plug **SX** with rim



Plug **SX** - with greater anchorage depth, without rim



Plug **SX** with rim and screw



	With rim	With greater anchorage depth, without rim	With rim and screw	Drill hole diameter	Min. drill hole depth	Anchor length	Wood and chipboard screws	Max. fixture thickness	Sales unit
	Art.-No.	Art.-No.	Art.-No.	$d_0$	$h_1$	$l$	$d_s / d_s \times l_s$	$t_{fix}$	[pcs]
Item	SX	SX	SX-S	[mm]	[mm]	[mm]	[mm]	[mm]	[pcs]
<b>SX 4 x 20</b>	<b>070004</b>	—	—	4	25	20	2 - 3	—	200
<b>SX 5 x 25</b>	<b>070005</b>	—	—	5	35	25	3 - 4	—	100
<b>SX 6 x 30</b>	<b>070006</b>	—	—	6	40	30	4 - 5	—	100
<b>SX 6 x 30</b>	—	—	<b>070021</b>	6	45	30	4,5 x 40	5	50
<b>SX 6 x 50</b>	<b>078185</b>	<b>024827</b>	—	6	60	50	4 - 5	—	100
<b>SX 8 x 40</b>	<b>070008</b>	—	—	8	50	40	4,5 - 6	—	100
<b>SX 8 x 40</b>	—	—	<b>070022</b>	8	65	40	5 x 60	15	50
<b>SX 8 x 65</b>	—	<b>024828</b>	—	8	75	65	4,5 - 6	—	50
<b>SX 10 x 50</b>	<b>070010</b>	—	—	10	70	50	6 - 8	—	50
<b>SX 10 x 80</b>	—	<b>024829</b>	—	10	95	80	6 - 8	—	25
<b>SX 12 x 60</b>	<b>070012</b>	—	—	12	80	60	8 - 10	—	25
<b>SX 14 x 70</b>	<b>070014</b>	—	—	14	90	70	10 - 12	—	20
<b>SX 16 x 80</b>	<b>070016</b>	—	—	16	100	80	12 (1/2")	—	10

## TECHNICAL DATA



**SX** in bucket

Item	Art.-No.	Drill hole diameter	Min. drill hole depth	Anchor length	Max. fixture thickness	Wood and chipboard screws	Sales unit
		$d_0$	$h_1$	$l$	$t_{fix}$	$d_s$	[pcs]
		[mm]	[mm]	[mm]	[mm]	[mm]	
<b>SX 6 in bucket</b>	<b>507900</b>	6	40	30	—	4 - 5	3200
<b>SX 8 in bucket</b>	<b>507904</b>	8	50	40	—	4,5 - 6	1200
<b>SX 10 in bucket</b>	<b>507909</b>	10	70	50	—	6 - 8	720
<b>SX 12 in bucket</b>	<b>523269</b>	12	80	60	—	8 - 10	350

## TECHNICAL DATA



Box SX 5/6/8

Profi-Box

Box UX / SX-S

Assortment box UX / SX

Item	Art.-No.	Contents	Sales unit [pcs]
<b>Box SX 5/6/8</b>	<b>030191</b>	100 plugs SX 5 x 25, 100 plugs SX 6 x 30, 100 plugs SX 8 x 40	1
<b>Box UX / SX-S</b>	<b>093181</b>	50 plugs UX 6 x 35, 50 screws 4,5 x 50, 50 plugs SX 6 x 30, 50 screws 4,5 x 45, 25 plugs UX 8 x 50, 25 screws 5 x 65, 25 plugs SX 8 x 40, 25 screws 5 x 50	1
<b>Assortment box UX / SX</b>	<b>040991</b>	60 plugs SX 6 x 30, 50 plugs SX 8 x 40, 20 plugs SX 10 x 50, 60 plugs UX 5 x 30 R, 40 plugs UX 6 x 50 R, 50 plugs UX 8 x 50 R, 10 plugs UX 10 x 60 R	1
<b>Profi-Box SX</b>	<b>518524</b>	International version: 60 Expansion plugs SX 6 x 30, 60 Expansion plugs SX 8 x 40, 12 Expansion plugs SX 10 x 50	1
<b>Profi-Box SX + screws</b>	<b>518525</b>	International version: 50 Expansion plugs SX 6 x 30, 30 Expansion plugs SX 8 x 40, 50 Chipboard screws 4,5 x 40, 30 Chipboard screws 5 x 60	1
<b>Meister-Box SX-plug</b>	<b>041648</b>	German version: 60 plugs SX 6 x 30, 60 plugs SX 8 x 40, 12 plugs SX 10 x 50	1
<b>Meister-Box SX + screws</b>	<b>513777</b>	German version: 50 Expansion plugs SX 6 x 30, 30 Expansion plugs SX 8 x 40, 50 Chipboard screws 4,5 x 40, 30 Chipboard screws 5 x 60	1

## LOADS

### Expansion plug SX

Highest recommended loads<sup>1)</sup> for a single anchor.

The given loads are valid for wood screws with the specified diameter.

Type		SX 4 x 20	SX 5 x 25	SX 6 x 30 SX 6 x 50	SX 8 x 40 SX 8 x 65	SX 10 x 50	SX 10 x 80	SX 12 x 60	SX 14 x 70	SX 16 x 80
Wood screw diameter	∅ [mm]	3	4	5	6	8	8	10	12	12
Min. edge distance concrete	c <sub>min</sub> [mm]	20	25	35	40	50	50	65	100	120
<b>Recommended loads in the respective base material F<sub>rec</sub><sup>2)</sup></b>										
Concrete	≥ C20/25 [kN]	0,16	0,30	0,65	0,70	1,20	1,20	1,70	2,00	2,60
Solid brick	≥ Mz 12 [kN]	0,11	0,25	0,30	0,60	0,65	1,20	0,70	0,80	0,90
Solid sand-lime brick	≥ KS 12 [kN]	0,17	0,30	0,50	0,60	1,20	1,20	1,70	2,00	2,60
Aerated concrete	≥ AAC 2 [kN]	0,03	0,03	0,03	0,04	0,09	0,20	0,14	0,30	0,40
Aerated concrete	≥ AAC 4 [kN]	0,07	0,09	0,09	0,14	0,30	0,60	0,45	0,50	0,60
Vertically perforated brick	≥ Hz 12 (ρ ≥ 1.0 kg/dm <sup>3</sup> ) [kN]	0,13	0,07	0,07	0,17	0,17	0,50	0,26	0,40	0,60
Perforated sand-lime brick	≥ KSL 12 [kN]	0,15	0,17	0,30	0,35	0,30	0,80	0,35	0,30	0,40
Gypsum block	[kN]	-	-	-	0,26	0,37	-	1,00	1,00	-

<sup>1)</sup> Required safety factors are considered.

<sup>2)</sup> Valid for tensile load, shear load and oblique load under any angle.