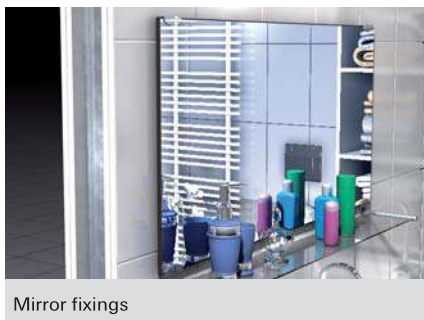


The nylon plug for all building materials



Mirror fixings



Pictures

BUILDING MATERIALS

- Concrete
- Gypsum plasterboard and gypsum fibreboards
- Vertically perforated brick
- Hollow blocks made from lightweight concrete
- Cavity floor slabs made from bricks and concrete
- Perforated sand-lime brick
- Solid sand-lime brick
- Natural stone
- Aerated concrete
- Chipboard
- Solid panel made from gypsum
- Solid brick made from lightweight concrete
- Solid brick

CERTIFICATES



ADVANTAGES

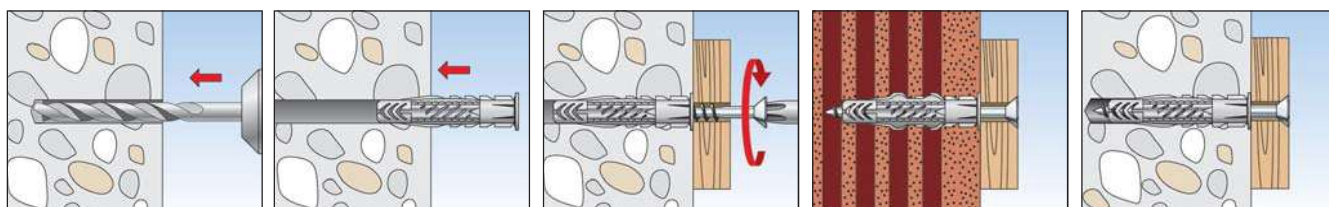
- The universal operating principle (knotting or expanding) allows for use in all solid, hollow and board building materials. Thus the UX is the correct choice for unknown base materials.
- The UX's angled connection ridges allow for optimum screw guidance. Serrated anti-rotation locks prevent rotation in the drill hole. This guarantees the greatest possible installation safety.
- Fixing sets with screws, eye screws and hooks provide the right solution for all applications.

APPLICATIONS

- Pictures
- Lighting
- Skirting
- Light cabinets
- Towel rails
- Mirror cabinets
- Curtain rails
- Wash basin fixings
- TV consoles
- Plumbing and heating fixings

FUNCTIONING

- The UX with rim is suitable for pre-positioned installation; the UX without rim is suitable for push-through installation.
- Turning in the screw causes the UX to expand in the solid building material and to knot within the cavity.
- The required screw length is given by the plug length + fixture thickness + 1 x screw diameter.
- Suitable for wood and chipboard screws, as well as stud screws.
- In the case of board building materials, the threadless part of the screw must not be longer than the fixture, and the UX with rim is to be used.
- The edge distance must be at least one plug length.



TECHNICAL DATA



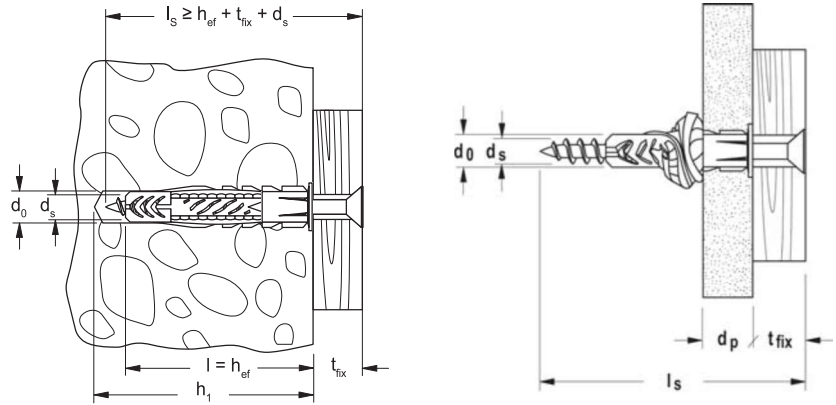
UX - without rim



UX - with collar



UX R S - with rim and screw



General fixings 6

	Without rim	With rim	With rim and screw	Drill hole diameter d_0 [mm]	Min. drill hole depth h_1 [mm]	Min. panel thickness d_p [mm]	Anchor length l [mm]	Wood and chip-board screws $d_s / d_s \times l_s$ [mm]	Max. fixture thickness t_{fix} [mm]	Sales unit [pcs]
Item	Art.-No. UX	Art.-No. UX R	Art.-No. UX R S							
UX 5 x 30	094721	094722	—	5	40	9,5	30	3 - 4	—	100
UX 6 x 35	062754	062756	—	6	45	9,5	35	4 - 5	—	100
UX 6 x 35	—	—	094758	6	65	9,5	35	4,5 x 60	20	25
UX 6 x 50	072094	072095	—	6	60	9,5	50	4 - 5	—	100
UX 6 x 50	—	—	094759	6	80	9,5	50	4,5 x 75	20	25
UX 8 x 40	—	505483	—	8	50	9,5	40	4,5 - 6	—	100
UX 8 x 50	077869	077870	—	8	60	9,5	50	4,5 - 6	—	100
UX 8 x 50	—	—	094762	8	75	9,5	50	5 x 70	15	25
UX 8 x 50	—	—	094760	8	85	9,5	50	5 x 80	25	25
UX 10 x 60	077871	077872	—	10	75	12,5	60	6 - 8	—	50
UX 10 x 60	094761 ¹⁾	—	—	10	90	12,5	60	6 x 85	20	10
UX 12 x 70	062758	—	—	12	85	—	70	8 - 10	—	25
UX 14 x 75	062757	—	—	14	95	—	75	10 - 12	—	20

1) with screw

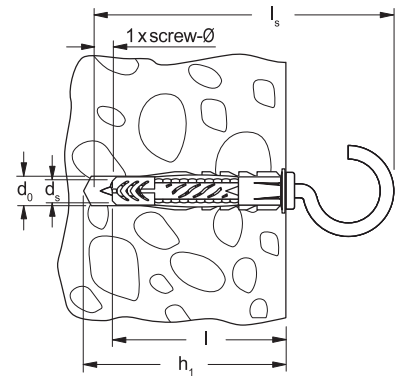
TECHNICAL DATA



UX RH - with rim and round hook



UX WH - with rim and angle hook



UX RH N - with rim and round hook
(white coated)



UX WH N - with rim and angle hook
(white coated)



UX OH N - with rim and eyebolt
(white coated)

	With rim and round hook	With round hook (white coated)	With rim and angle hook	With angle hook (white coated)	With eyebolt (white coated)	Drill hole diameter d_0 [mm]	Min. drill hole depth h_1 [mm]	Min. panel thickness d_p [mm]	Anchor length l [mm]	Screw dimension $d_s \times l_s$ [Ø mm]	Sales unit [pcs]
Item	RH	RH N	WH	WH N	OH N						
UX 6 x 35	094407	—	—	—	—	6	45	9,5	35	4,5 x 67	25
UX 6 x 35	—	—	094408	—	—	6	45	9,5	35	4,5 x 51	25
UX 8 x 50	094409	094412	—	—	094414	8	60	9,5	50	5,5 x 87	25
UX 8 x 50	—	—	094410	094413	—	8	60	9,5	50	5,5 x 70	25

TECHNICAL DATA



UX in bucket

Item	Art.-No.	Drill hole diameter d_0 [mm]	Min. drill hole depth h_1 [mm]	Min. panel thickness d_p [mm]	Fixing length l [mm]	Wood and chipboard screws $d_s / d_s \times l_s$ [mm]	Sales unit [pcs]
UX 6 x 35 R in bucket	508027	6	45	9,5	35	4 - 5	2500
UX 8 x 50 R in bucket	508028	8	60	9,5	50	4,5 - 6	1000
UX 10 x 60 R in bucket	508029	10	75	12,5	60	6 - 8	600

TECHNICAL DATA



6

General fixings

Assortment box UX / SX

Box UX / SX-S

Meister-Box

Item	Art.-No.	Contents	Sales unit [pcs]
Box UX 6/8/10	093182	100 plugs UX 6 x 35, 70 plugs UX 8 x 50, 20 plugs UX 10 x 60	1
Box UX-R 6/8/10	093819	100 plugs UX 6 x 35 R, 70 plugs UX 8 x 50 R, 20 plugs UX 10 x 60 R	1
Box UX / SX-S	093181	50 plugs UX 6 x 35, 50 screws 4,5 x 50, 50 plugs SX 6 x 30, 50 screws 4,5 x 45, 25 plugs UX 8 x 50, 25 screws 5 x 65, 25 plugs SX 8 x 40, 25 screws 5 x 50	1
Assortment box UX / SX	040991	60 plugs SX 6 x 30, 50 plugs SX 8 x 40, 20 plugs SX 10 x 50, 60 plugs UX 5 x 30 R, 40 plugs UX 6 x 50 R, 50 plugs UX 8 x 50 R, 10 plugs UX 10 x 60 R	1
Profi-Box UX + screws + hooks	518526	International version: 50 Universal plugs UX 6 x 35 R, 25 Universal plugs UX 8 x 50 R, 20 Chipboard screws 4,5 x 60, 15 Chipboard screws 5 x 70, 4 Angle hooks 5,5, x 70, 4 Round hooks 5,5 x 80	1
Profi-Box UX / UX-R	518527	International version: 25 Universal plugs UX 6 x 35, 25 Universal plugs UX 6 x 35 R, 25 Universal plugs UX 8 x 50, 25 Universal plugs UX 8 x 50 R, 10 Universal plugs UX 10 x 60	1
Meister-Box UX + screws + hooks	513894	German version: 50 Universal plugs UX 6 x 35 R, 25 Universal plugs UX 8 x 50 R, 20 Chipboard screws 4,5 x 60, 15 Chipboard screws 5 x 70, 4 Angle hooks 5,5, x 70, 4 Round hooks 5,5 x 80	1
Meister-Box UX / UX-R	513893	German version: 25 Universal plugs UX 6 x 35, 25 Universal plugs UX 6 x 35 R, 25 Universal plugs UX 8 x 50, 25 Universal plugs UX 8 x 50 R, 10 Universal plugs UX 10 x 60	1

LOADS

Universal plug UX

Highest recommended tensile loads¹⁾ for a single anchor.

The given loads are valid for wood screws with the specified diameter.

Type			UX 5 x 30	UX 6 x 35	UX 6 x 50	UX 8 x 40 UX 8 x 50	UX 10 x 60	UX 12 x 70	UX 14 x 75
Wood screw diameter	∅ [mm]		4	5	5	6	8	10	12
Recommended loads in the respective base material F_{rec}²⁾									
Concrete	≥ C20/25	[kN]	0,30	0,40	0,60	0,60	1,00	1,50	1,80
Solid brick	≥ Mz 12	[kN]	0,20	0,20	0,30	0,30	0,50	0,70	0,80
Perforated sand-lime brick	≥ KSL 12	[kN]	0,30	0,40	0,40	0,50	0,60	0,80	0,80
Vertically perforated brick	≥ Hlz 12	[kN]	0,20	0,20	0,20	0,20	0,20	0,30	0,40
Aerated concrete	≥ AAC 4	[kN]	0,15	0,20	0,20	0,30	0,40	0,60	0,70
Gypsum plasterboard	12,5 mm	[kN]	0,10	0,10	0,10	0,10	0,10	-	-
Gypsum plasterboard	25 mm	[kN]	0,10	0,15	0,15	0,15	0,15	-	-
Gypsum fibreboard	(Fermacell)	[kN]	0,20	0,20	0,20	0,20	0,25	-	-
Gypsum block	ρ ≥ 0,9 kg/dm ³	[kN]	-	-	-	0,15	0,35	0,45	0,50

¹⁾ Required safety factors are considered.

²⁾ Valid for tensile load, shear load and oblique load under any angle.

LOADS

Universal plug UX with hook screws respective eye screws

Highest recommended tensile loads¹⁾ for a single anchor.

The given loads are valid for the included hook screws respective eye screws.

Type			UX 6 x 35 RH	UX 6 x 35 WH	UX 8 x 50 RH	UX 8 x 50 WH	UX 8 x 50 OE
Recommended loads in the respective base material F_{rec}²⁾							
Concrete	≥ C20/25	[kN]	0,25	0,30	0,40	0,45	0,40
Vertically perforated brick	≥ Hlz 12	[kN]	0,20	0,20	0,20	0,20	0,20
Gypsum plasterboard	12,5 mm	[kN]	0,05	0,05	0,05	0,05	0,05

¹⁾ Required safety factors are considered.

²⁾ Valid for tensile load, shear load and oblique load under any angle.